

# EXT1050

ELECTRIC RELEASE DOUBLE TILT & TELESCOPE STEERING COLUMN



## AT A GLANCE

- > MECHANICAL MID TILT AND UPPER TELESCOPE WITH POWERED RELEASE ON THE LOWER TILT FUNCTION
- > REMOVES THE NEED FOR ANY RELEASE PEDALS
- > THE SPECIFICATION OF ALL STEERING COLUMNS IS ACCORDING TO ISO 5010 AND SAE J1814
- > ALL COLUMNS MEETS KONGSBERG AUTOMOTIVE PRODUCT SPECIFICATION FOR OFF ROAD VEHICLES, AGRICULTURAL TRACTORS AND CONSTRUCTION EQUIPMENT

## PRODUCT DESCRIPTION

The EXT1050 Electric Release Double Tilt & Telescope Steering Column has been designed specifically for the premium range of Off Highway vehicle applications.

The powered release of the lower tilt function keeps the floor area around the driver's feet clearer, since there is no need for any release pedal.

Kongsberg Automotive offers a full range of fixed, tilt and telescopic steering columns, designed to withstand the most challenging environments for off-road vehicles. With our unique modular design, all columns provide best-in-class ergonomic working conditions for the driver.

Kongsberg Automotive offers completely tailored steering columns from our modular system according to customer specifications with full in-house design, development and validation services.

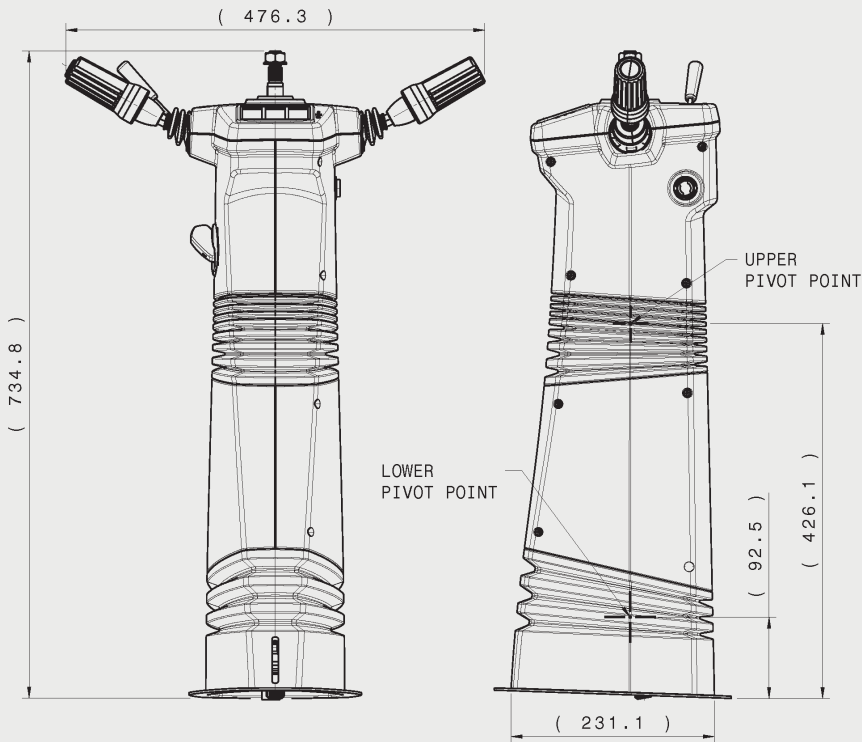


# EXT1050

ELECTRIC RELEASE DOUBLE TILT & TELESCOPE STEERING COLUMN



## PRODUCT SPECIFICATIONS



## FEATURES

- > COLUMN LENGTH (FROM 100MM TO 700MM)
- > CONNECTION TO STEERING WHEEL, Ø20 AND Ø25 WITH DIFFERENT CONES AND SERRATIONS
- > TOP TILT ANGLE:  $\pm 24^\circ$  IN  $4^\circ$  STEPS
- > ENTRY/EXIT ANGLE:  $36^\circ / 52^\circ$
- > LOWER TILT ANGLE: UP TO  $\pm 24^\circ$ , INFINITE ADJUSTMENT WITH A GAS SPRING
- > TELESCOPE STROKE: UP TO 100MM
- > TOP TUBE DIMENSION 45 MM

## OPTIONS

- > LOCKING LEVER IS CUSTOMIZABLE
- > TELESCOPE RANGE CAN BE EASILY CUSTOMIZED
- > TILT ADJUSTMENT RANGE CAN BE EASILY CUSTOMIZED
- > COMPATIBLE WITH ALL TYPES OF STEERING WHEEL CONNECTIONS
- > COMPATIBLE WITH ALL TYPES OF HYDRAULIC PUMP INTERFACES