

Universal Snap-In Choke



FEATURES AND BENEFITS:

- Positive detent in off position
- Durable polymer construction
- Styling options available
- Fastenerless installation
- Weather resistant body
- Corrosion resistant materials
- Can be mounted in steel or plastic panels

Product Description

Kongsberg Automotive's new universal Snap-In Choke control now offers more flexibility, durability and more styling options. The "snap action" design synchronizes the choke in the "off" position during assembly, helps to seal out dirt and moisture, and eliminates inadvertent change due to engine vibration.

The snap-in cage component eliminates a nut and lock washer for more efficient and reliable installation. The cages are available in multiple sizes to meet a variety of plastic and metal panel dimensions and are color-coded for quick and easy identification.

The Snap-In Choke meets a range of temperature and routing conditions, with a working load capacity of up to 35 lbs./155N. The choke symbol can be raised or hot stamped to satisfy aesthetic preferences.

As a leading developer and manufacturer of mechanical control cable assemblies focused on the unique needs of power equipment OEMs, Kongsberg Automotive is committed to responding to its customers with innovative solutions, proven technical excellence and world class production capabilities.

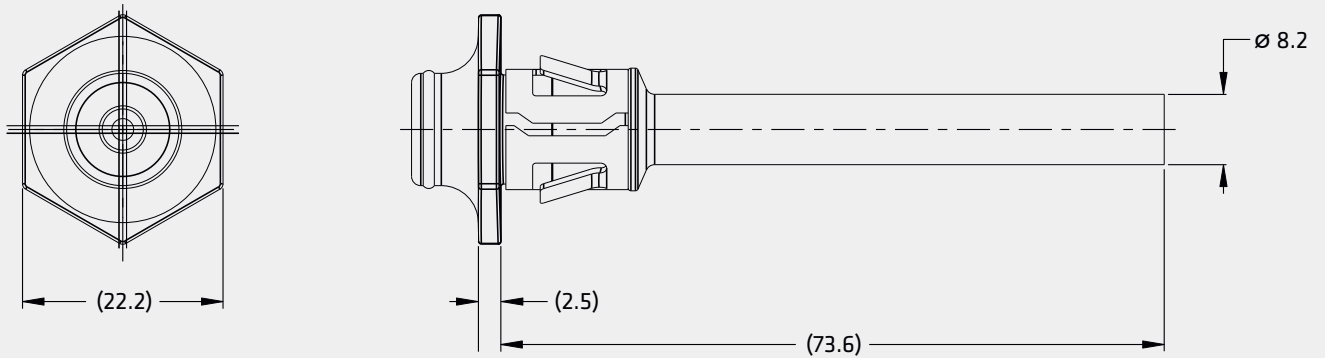
Contact:

United States: Kongsberg Automotive, 300 South Cochran St., Willis 77378, TX, United States
Europe: Kongsberg Interior Systems Kft., Bajcsy-Zs. u. 201/D, Siófok, 8600 Somogy, Hungary
China: Lone Star, 2nd Building, 777 Yuandong Rd, Nanqiao Town, Fengxian District 201401, China
E-mail address: ope.inquiries@ka-group.com (common to all sites)

Universal Snap-In Choke

Mounting configuration

Recommended mounting hole size - 13.89mm ± .1
 .547" ± .005



Knob Options:



Convex with choice of molded or hot stamped symbol

Convex

Concave



Dimension "A"	Cage Color	Panel Thickness
73.6mm/2.90"	Yellow	1.8mm/.07"
73.6mm/2.90"	Black	3.8mm/.14"
73.6mm/2.90"	Silver	2.5mm/.10"