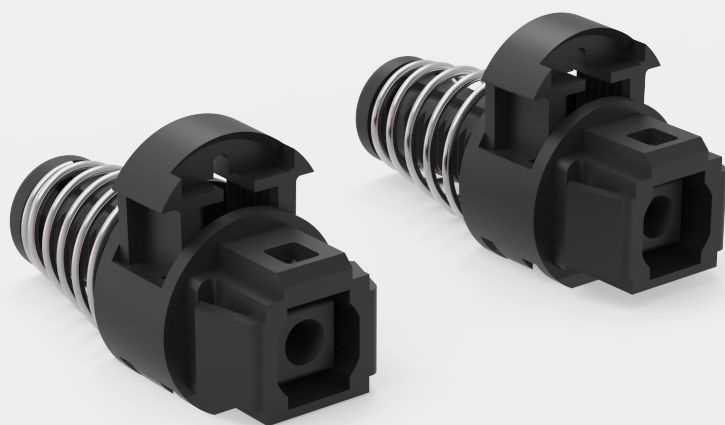




Mini Snap-Lock Adjuster

Motion Control Systems



FEATURES:

- Compact Design
- Snap-In Locking
- No Need for Tools

BENEFITS:

- Compact, snap-in design
- Spring-assisted adjustment
- 12mm travel/adjustment

Product Description

Kongsberg Automotive Mini Snap-Lock Adjuster is a fastenerless adjustment device with an easy, spring assisted feature that ensures consistent installation and allows operators to lock-in adjustments without tools.

Made of a corrosion resistant, engineered resin, the light weight Mini Snap-Lock Adjuster is easily serviced yet prevents inadvertent adjustment. It is also compatible with Kongsberg Automotive wide range of conduits, including Twin-Wire. The Mini Snap-Lock Adjuster has a working load capacity of up to 50 lbs./2 22N.

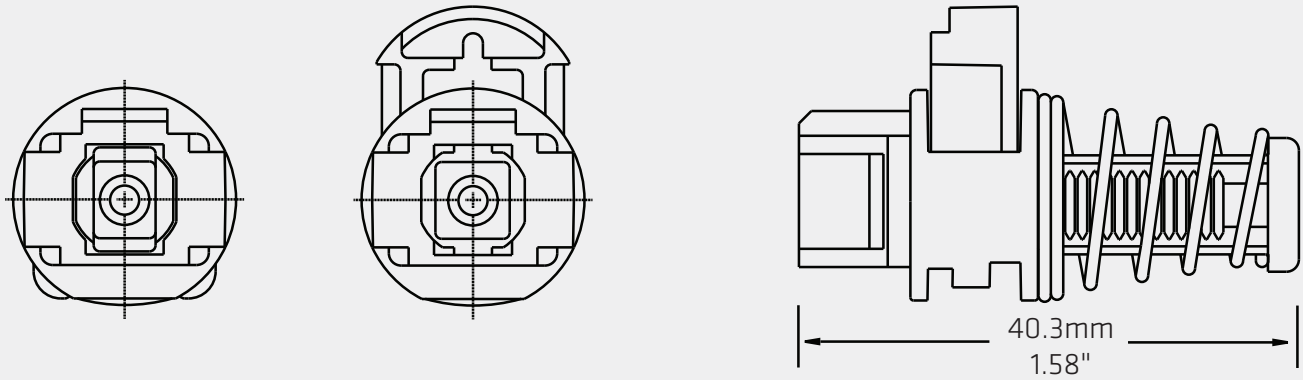
As a leading developer and manufacturer of mechanical control cable assemblies focused on the unique needs of power equipment manufacturers, Kongsberg Automotive is committed to responding to its customers with innovative solutions, proven technical excellence and world class production capabilities.

Contact:

United States: Kongsberg Automotive, 300 South Cochran St., Willis 77378, TX, United States
Europe: Kongsberg Interior Systems Kft., Bajcsy-Zs. u. 201/D, Siófok, 8600 Somogy, Hungary
China: Lone Star, 2nd Building, 777 Yuandong Rd, Nanqiao Town, Fengxian District 201401, China
E-mail address: ope.inquiries@ka-group.com (common to all sites)

Mini Snap-Lock Adjuster

Motion Control Systems



Recommended mounting hole size for optimum housing installation.

