

# Lever Assembly

Motion Control Systems



## FEATURES:

- Proven reliability
- Single fastener mounting for efficient assembly
- Snap-in, permanent conduit retention
- Multiple mounting options

## BENEFITS:

- Cost-Effective
- Versatile Mounting
- Single-Bolt Mounting

## Product Description

Kongsberg Automotive lever assembly provides a cost-effective mechanical actuation solution for a variety of power equipment products.

Several low-cost conduit and cable alternatives are available to meet a variety of application requirements. The single bolt or pin mounting and permanent cable retention improves OEM assembly efficiency, performance, and durability. The lever and housing are made of engineering grade plastic and have been tested at 150°F to -30°F.

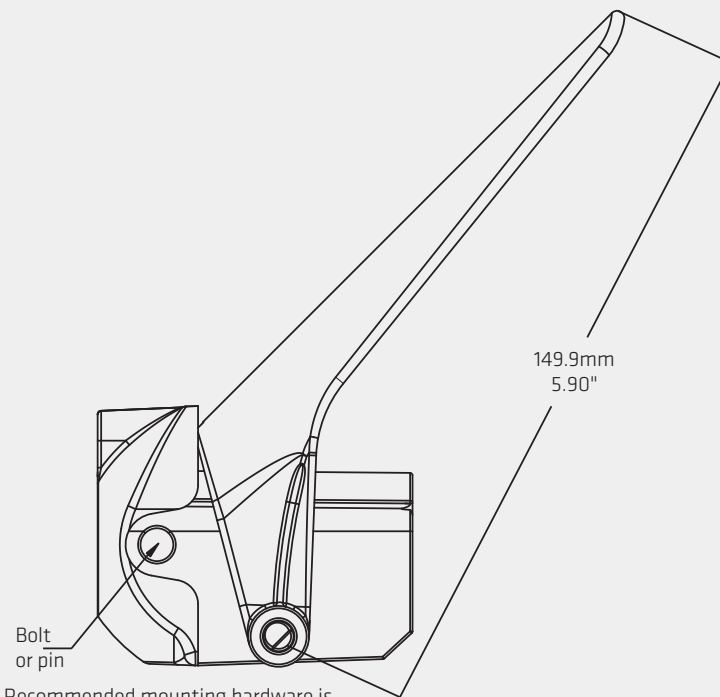
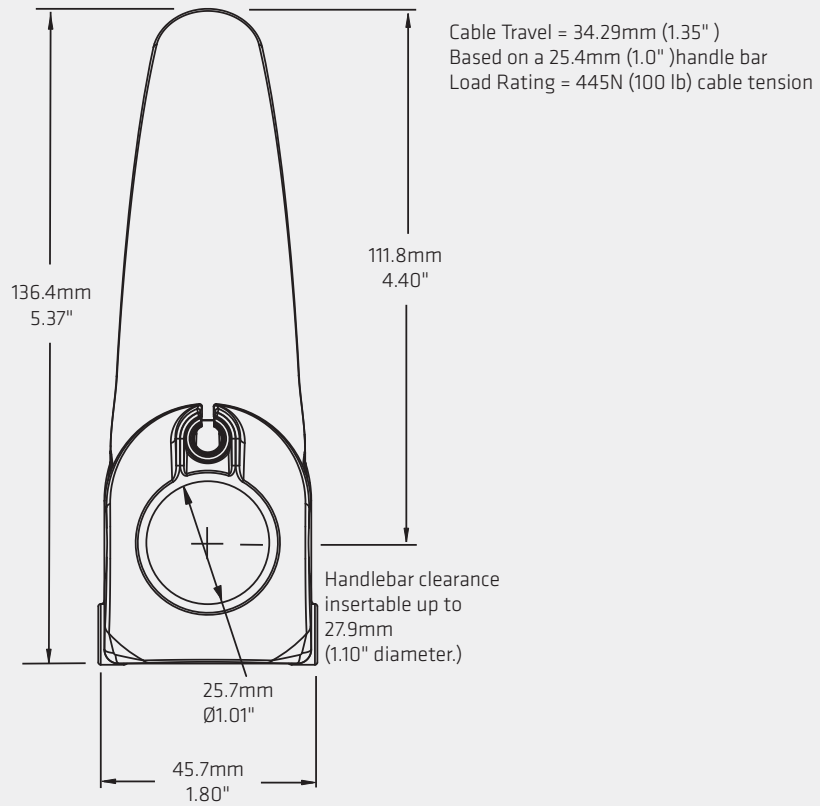
As a leading developer and manufacturer of mechanical control cable assemblies focused on the unique needs of power equipment OEMs, Kongsberg Automotive is committed to responding to its customers with innovative solutions, proven technical excellence and world class production capabilities.

## Contact:

**United States:** Kongsberg Automotive, 300 South Cochran St., Willis 77378, TX, United States  
**Europe:** Kongsberg Interior Systems Kft., Bajcsy-Zs. u. 201/D, Siófok, 8600 Somogy, Hungary  
**China:** Lone Star, 2nd Building, 777 Yuandong Rd, Nanqiao Town, Fengxian District 201401, China  
**E-mail address:** [ope.inquiries@ka-group.com](mailto:ope.inquiries@ka-group.com) (common to all sites)

# Lever Assembly

Motion Control Systems



Recommended mounting hardware is  
1/4 x 11/2" (6.4mm x 38.1mm)  
groove or clevis pin.

Lever mounting options include  
snap-on posts or groove pin with clip  
for higher load applications.