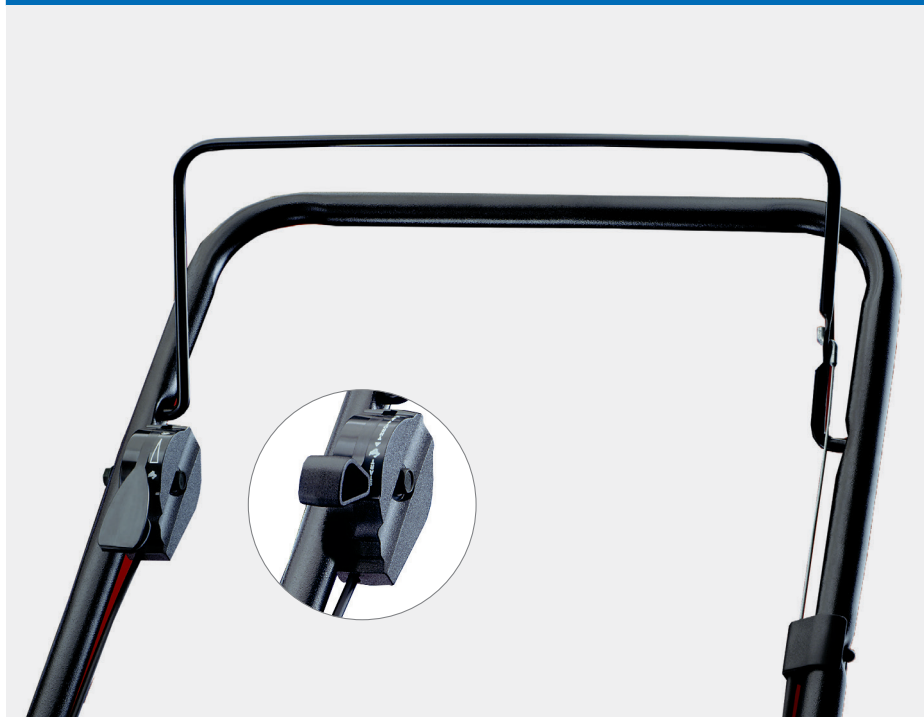




KONGSBERG
AUTOMOTIVE

Lay Down Throttle Lever

Outdoor Power Equipment



FEATURES:

- Positive and negative action models
- Single bolt mounting to reduce assembly costs
- Custom imprinting options on either the case halves or lever, for OEMs requiring exclusive styling and product line identification.

BENEFITS:

- Sleek new design
- Single-bolt mounting
- Proven mechanical reliability

Product Description

Kongsberg Automotive presents a streamlined look to its proven, reliable axial throttle. The throttle lever has been redesigned to lie flush with the throttle case while in full throttle position, reducing the potential for snagging while the mower is in operation.

The design utilizes the same internal mechanical reliability that the Kongsberg Automotive axial throttle has always provided.

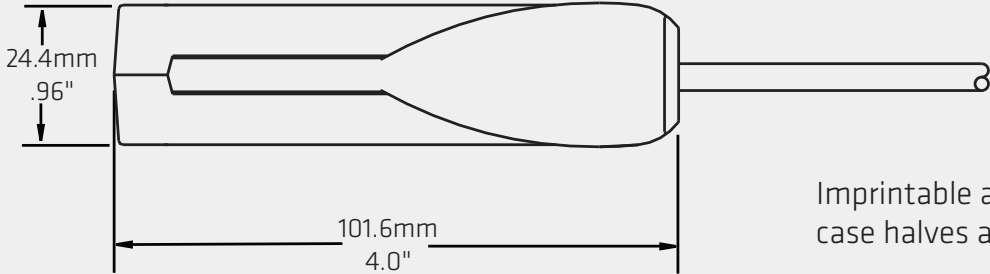
As a leading manufacturer of mechanical control cable assemblies focused on the unique needs of outdoor power equipment OEMs, Kongsberg Automotive is committed to responding to its customers with innovative solutions, proven technical excellence and world class production capabilities.

Contact:

United States: Kongsberg Automotive, 300 South Cochran St., Willis 77378, TX, United States
Europe: Kongsberg Interior Systems Kft., Bajcsy-Zs. u. 201/D, Siófok, 8600 Somogy, Hungary
China: Lone Star, 2nd Building, 777 Yuandong Rd, Nanqiao Town, Fengxian District 201401, China
E-mail address: ope.inquiries@ka-group.com (common to all sites)

Lay Down Throttle Lever

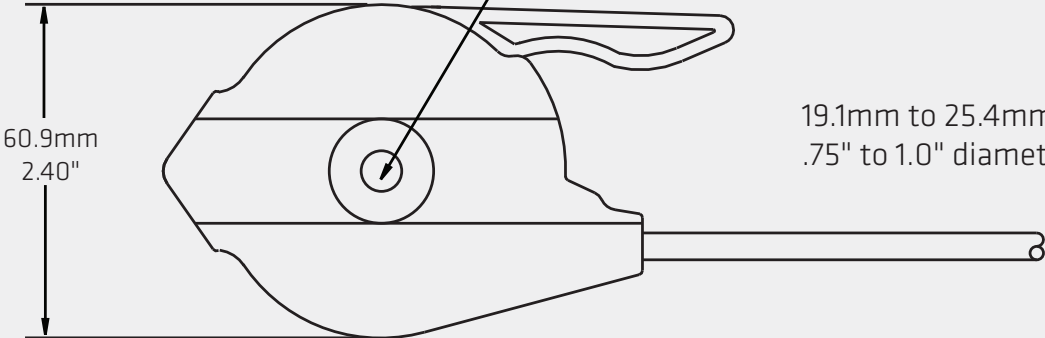
Outdoor Power Equipment



Imprintable areas on top of case halves as well as the lever

Travel = 35.6mm
1.40"

Single bolt mounting
with 1/4 - 20 or M6 bolt



19.1mm to 25.4mm
.75" to 1.0" diameter to handle