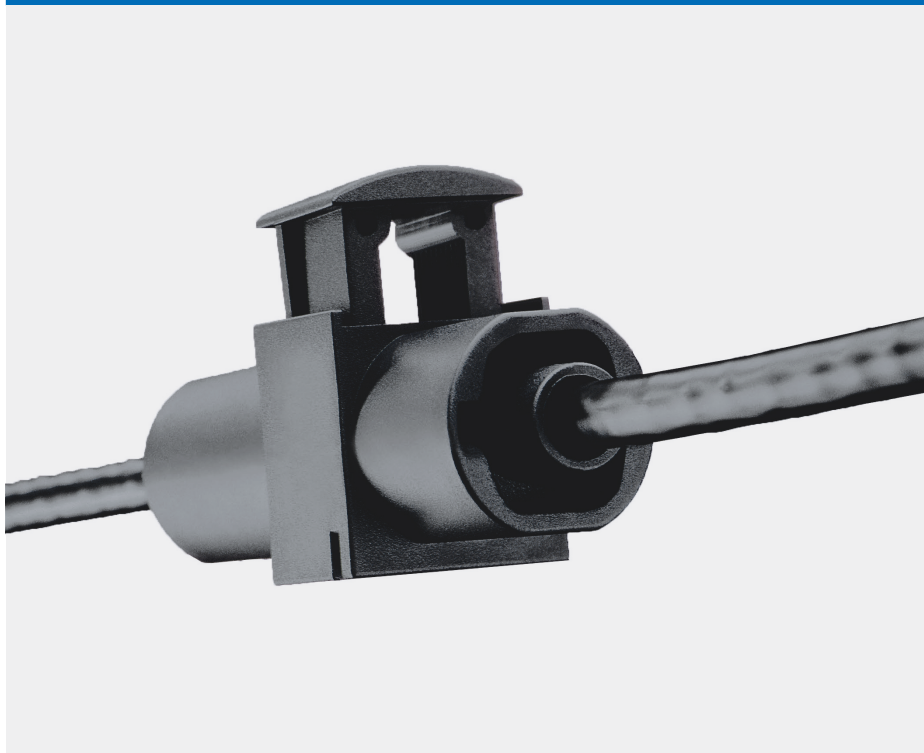




KONGSBERG
AUTOMOTIVE

In-Line Cable Adjuster

Mechanical Cable Systems



FEATURES:

- Proven Kongsberg Automotive mechanical reliability
- 13.5mm take-up
- Push-button locking feature
- 100 lbf. capacity

BENEFITS:

- Proven Mechanical Reliability
- Greater Design Flexibility
- Push-Button Locking

Product Description

Kongsberg Automotive innovative in-line cable adjuster minimizes system tolerance stack occurring in synchronous release systems.

It provides customers with greater design flexibility, especially in limited space applications, because it can be positioned anywhere on the conduit. The in-line adjuster is compatible with standard end-fittings and a wide variety of conduits. The one-step, push-button locking feature reduces operator dependency. Capable of withstanding high loads, the in-line adjuster's sturdy, reinforced resin construction ensures low-creep, high stress resistance, and performance integrity.

As a leading manufacturer of light duty mechanical control cable assemblies Kongsberg Automotive is committed to responding to its customers with innovative solutions, proven technical excellence and world class production capabilities.

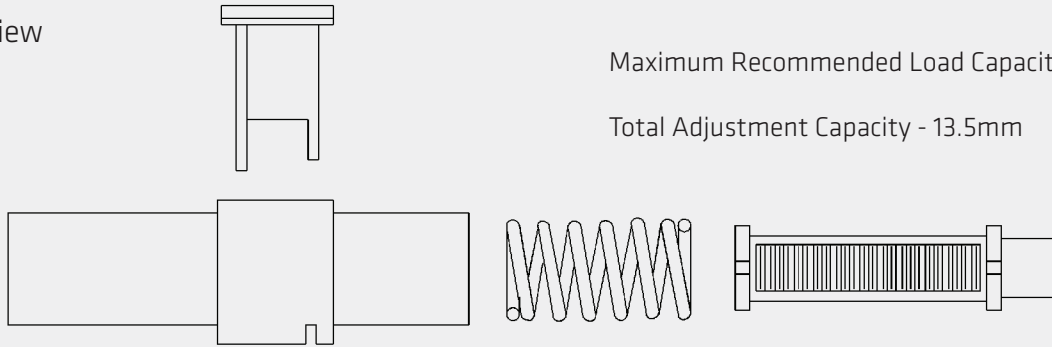
Contact:

United States: Kongsberg Automotive, 300 South Cochran St., Willis 77378, TX, United States
Europe: Kongsberg Interior Systems Kft., Bajcsy-Zs. u. 201/D, Siófok, 8600 Somogy, Hungary
China: Lone Star, 2nd Building, 777 Yuandong Rd, Nanqiao Town, Fengxian District 201401, China
E-mail address: ope.inquiries@ka-group.com (common to all sites)

In-Line Cable Adjuster

Mechanical Cable Systems

Exploded View



Maximum Recommended Load Capacity - 100 lbf.

Total Adjustment Capacity - 13.5mm

