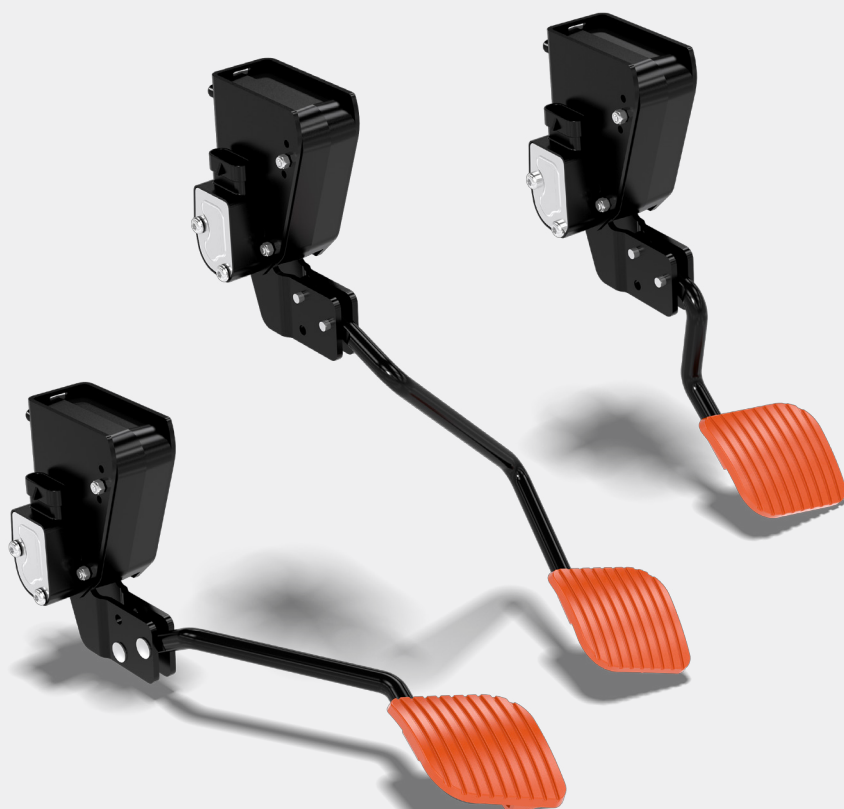




KONSGBERG
AUTOMOTIVE

ACCELERATING PROGRESS

XT3000 SERIES MECHATRONIC THROTTLE PEDAL WITH vSENSE™ TECHNOLOGY



AT A GLANCE

- Innovative modular design allows for ease of installation regardless of application or configuration
- Generic sub-assy and treadle enables pedal installations that:
 - are easy to package
 - require a low investment
 - are quick to market
 - have already been proven
- vSENSE™ Hall effect non-contact sensor provides position sensing and switching accuracy and reliability
- Fully user customizable to fit a wide range of applications

Product Description

The Kongsberg Automotive XT3000 series pedal systems offer easy installation for agricultural pedal applications requiring long reach and offset arm geometry and provide unsurpassed reliability regardless of the treadle location.

The mechatronic pedal features the vSENSE™ non-contact sensor with patent-pending technology, configurable for analog output or electronic switches. Built to exceed all applicable industry standards and requirements, this rugged

pedal and sensor system can withstand extreme off-road environments while ensuring precise control and superior performance.

The XT3000 pedal benefits from Kongsberg Automotive's unique 'direct-drive' of the sensor, providing enhanced reliability in all environments. With no moving parts to wear over time, the vSENSE™ sensor sets a new standard for accuracy and durability, exceeding IP67 seal rating by performing under dynamic rather than static conditions.

Contact:

Europe: Hlavná 48, 952 01 Vrábľe, Slovakia
North America: 300 South Cochran PO Box 588 Willis, TX 77378, USA

Tel: + 421 377 911 542
Tel: + 1 936 856 2971

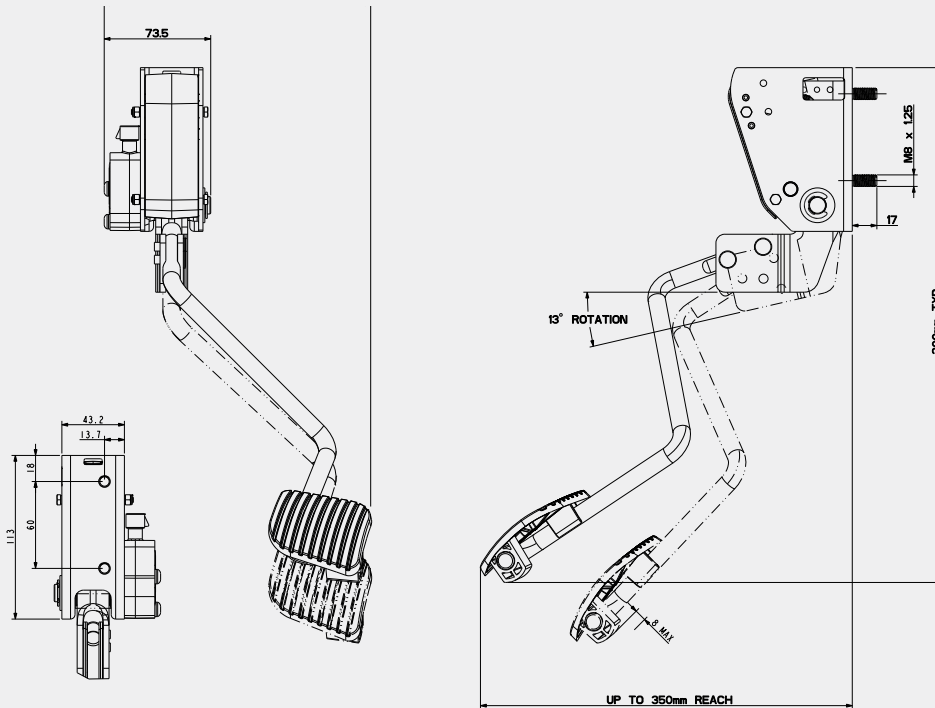
www.kongsbergautomotive.com, info.pps@ka-group.com

ACCELERATING PROGRESS

XT3000 SERIES MECHATRONIC THROTTLE PEDAL WITH vSENSE™ TECHNOLOGY

Product Specifications

XT3000 SERIES SUSPENDED PEDAL

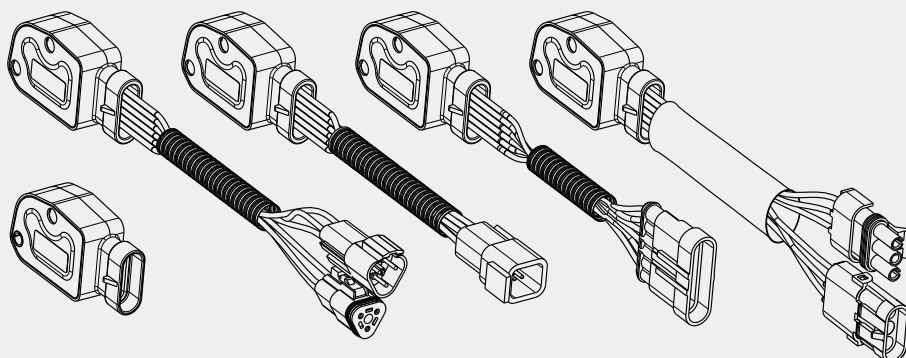


Product Specifications

Parameters

Specifications

Rated Life	5M cycles
Typical pedal actuation forces:	
Away from idle	20N (4.5lb)
Full-pedal-travel	40N (9.0lb)
Return from full-pedal-travel	30N (6.75lb)
Return to idle	10N (2.25lb)
Treadle	Fixed
Operating Temperature	-40°C to +85°C



XT3000 features

- Allows for “clean floor” access to the vehicle cab
- Up to 250mm treadle offset
- Up to 350mm treadle reach
- Integrated M8 mounting studs
- Unique hysteresis element design provides smooth, predictable and comfortable operator control

XT3000 options

- Kickdown
- Sensor output
- Sensor connection
 - Integrated Metripack 150
 - Customized connectors on flying leads