



KONGSBERG
AUTOMOTIVE

XT3000 SERIES

MECHATRONIC THROTTLE PEDAL



AT A GLANCE

- > INNOVATIVE MODULAR DESIGN ALLOWS FOR EASE OF INSTALLATION REGARDLESS OF APPLICATION OR CONFIGURATION
- > GENERIC SUB-ASSY AND TREADLE ENABLES PEDAL INSTALLATIONS THAT:
 - » ARE EASY TO PACKAGE
 - » REQUIRE A LOW INVESTMENT
 - » ARE QUICK TO MARKET
 - » HAVE ALREADY BEEN PROVEN
- > VSENSE™ HALL EFFECT NON-CONTACT SENSOR PROVIDES POSITION SENSING AND SWITCHING ACCURACY AND RELIABILITY
- > FULLY USER CUSTOMIZABLE TO FIT A WIDE RANGE OF APPLICATIONS

PRODUCT DESCRIPTION

The Kongsberg Automotive XT3000 series pedal systems offer easy installation for agricultural pedal applications requiring long reach and offset arm geometry and provide unsurpassed reliability regardless of the treadle location.

The mechatronic pedal features the vSENSE™ non-contact sensor with patent-pending technology, configurable for analog output or electronic switches. Built to exceed all applicable industry standards and requirements, this rugged pedal and sensor system can withstand extreme off-road environments while ensuring precise control and superior performance.

The XT3000 pedal benefits from Kongsberg Automotive's unique 'direct-drive' of the sensor, providing enhanced reliability in all environments. With no moving parts to wear over time, the vSENSE™ sensor sets a new standard for accuracy and durability, exceeding IP67 seal rating by performing under dynamic rather than static conditions.



CHINA: 1288 KANGQIAO EAST ROAD, 201319 PUDONG, CHINA // T: +86 2158134411

EUROPE: HLAVNÁ 48, 952 01 VRÁBLE, SLOVAKIA // T: +421 377 911 542

NORTH AMERICA: 300 SOUTH COCHRAN PO BOX 588 WILLIS, TX 77378, USA // T: +1 936 856 2971

WWW.KONGSBERGAUTOMOTIVE.COM

XT3000 SERIES

MECHATRONIC THROTTLE PEDAL

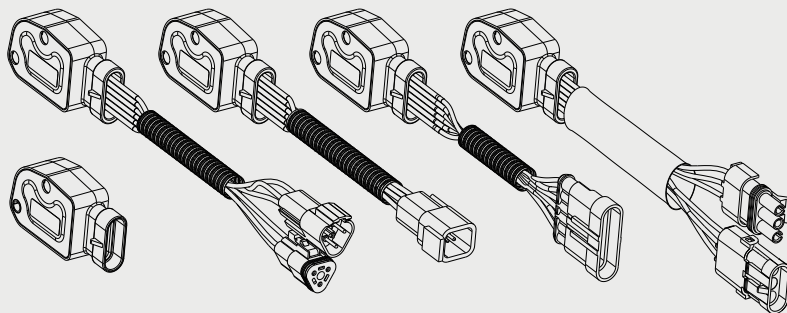
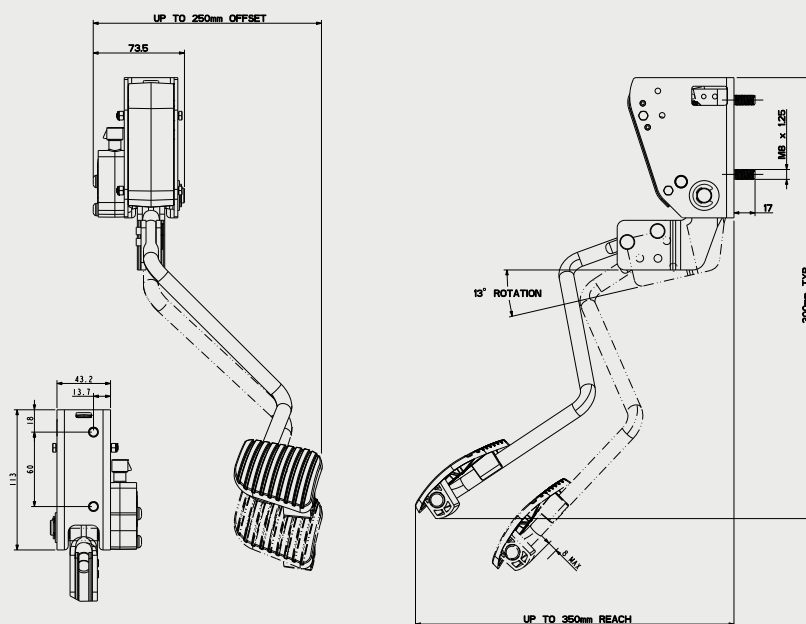


PRODUCT SPECIFICATIONS

PARAMETERS	SPECIFICATIONS
RATED LIFE	1,000,000 CYCLES
TREADLE	FIXED
OPERATING TEMPERATURE	-40°C TO +85°C

TYPICAL PEDAL ACTUATION FORCES

AWAY FROM IDLE	20N (4.5LB)
FULL-PEDAL-TRAVEL	40N (9.0LB)
RETURN FROM FULL-PEDAL-TRAVEL	30N (6.75LB)
RETURN TO IDLE	10N (2.25LB)



FEATURES

- > 20° PEDAL TRAVEL FROM THE REST POSITION
- > INNOVATIVE DESIGN WITH FEW PARTS AND A LARGE BEARING DIAMETER PROVIDING EXCELLENT ABILITY TO WITHSTAND HARSH VEHICLE ENVIRONMENTS
- > EASY MOUNTING
- > INTEGRATED SENSOR WITH METRIPACK 150 CONNECTOR

OPTIONS

- > AVAILABLE IN HIGH OR LOW STARTING ANGLES
- > TWO SENSOR OUTPUT CHANNELS CAN BE CONFIGURED FOR ANALOGUE, SWITCH OR PWM OUTPUTS, DEPENDING UPON THE VEHICLE REQUIREMENTS
- > ALTERNATIVELY, THE PEDAL CAN BE CONFIGURED TO PROVIDE A CANBUS OUTPUT

CHINA: 1288 KANGQIAO EAST ROAD, 201319 PUDONG, CHINA // T: +86 2158134411

EUROPE: HLAVNÁ 48, 952 01 VRÁBLE, SLOVAKIA // T: +42 1377 911 542

NORTH AMERICA: 300 SOUTH COCHRAN PO BOX 588 WILLIS, TX 77378, USA // T: +1936 856 2971

WWW.KONSGBERGAUTOMOTIVE.COM