

ER-8000 PEDAL

ELECTRONIC ROCKER PEDAL



AT A GLANCE

- > A ROBUST DESIGN IDEALLY SUITABLE FOR DEMANDING OFF-HIGHWAY PEDAL APPLICATIONS REQUIRING A ROCKER TYPE ACTION
- > QUADRUPLE COMPRESSION SPRING DESIGN ENSURES COMPLETE RELIABILITY AND CONSTANT PEDAL FORCES OVER THE VEHICLE LIFETIME
- > UNIQUE HYSTERESIS ELEMENT DESIGN PROVIDES SMOOTH, PREDICTABLE AND COMFORTABLE OPERATOR CONTROL
- > VSENSE™ HALL EFFECT NON-CONTACT SENSOR PROVIDES POSITION SENSING AND SWITCHING ACCURACY AND RELIABILITY
- > FULLY USER CUSTOMIZABLE TO FIT A WIDE RANGE OF APPLICATIONS

PRODUCT DESCRIPTION

The Kongsberg Automotive ER8000 series pedal systems offer easy installation for any off-highway vehicle application requiring an electronic pedal with a bi-directional, 'rocker' type of action.

The mechatronic pedal features the vSENSE™ non-contact sensor with patent-pending technology, configurable for analog output or electronic switches. Built to exceed all applicable industry standards and requirements, this rugged pedal and sensor system can withstand extreme off-road environments while ensuring precise control and superior performance.

The ER8000 pedal benefits from Kongsberg Automotive's unique 'direct-drive' of the sensor, providing enhanced reliability in all environments. With no moving parts to wear over time, the vSENSE™ sensor sets a new standard for accuracy and durability, exceeding IP67 seal rating by performing under dynamic rather than static conditions.



ER-8000 PEDAL

ELECTRONIC ROCKER PEDAL



PRODUCT SPECIFICATIONS

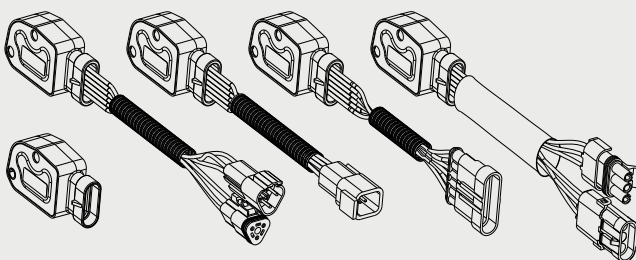
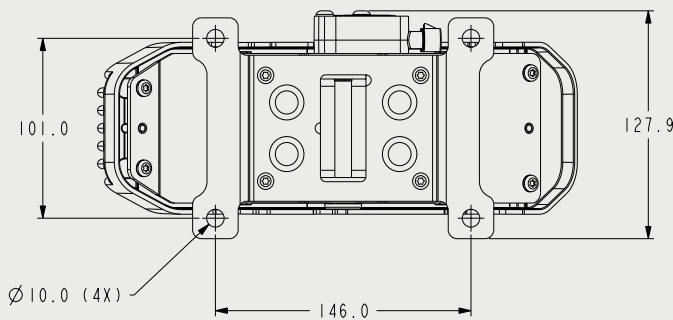
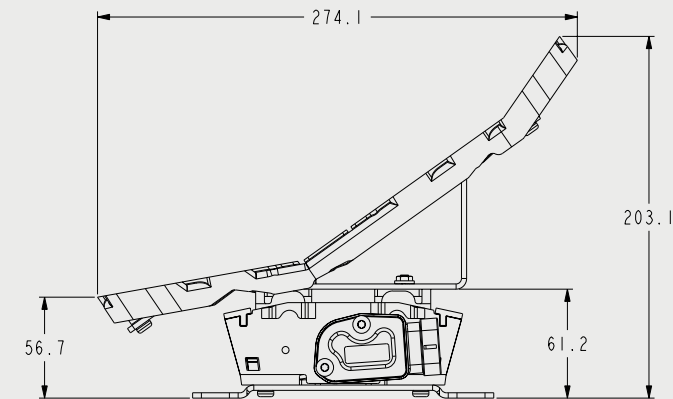
PARAMETERS	SPECIFICATIONS
RATED LIFE	5,000,000 CYCLES
TYPICAL PEDAL ACTUATION TORQUES: AWAY FROM NEUTRAL POSITION FULL-PEDAL-TRAVEL	APPROX 6NM APPROX 11NM
LOAD RATING	1550N (350LB)
SPECIFICATION COMPLIANCE	FMVSS124, SAE J1455, SAE J1113
OPERATING TEMPERATURE	-40°C TO +85°C

FEATURES

- > UP TO $\pm 12^\circ$ PEDAL TRAVEL FROM THE CENTRAL REST POSITION
- > EASY MOUNTING TO THE CABIN FLOOR
- > COMPOSITE END CAPS PREVENT INTRUSION OF DEBRIS
- > UNIQUE DESIGN ENSURES SMOOTH OPERATION OVER LIFETIME, WITHOUT FREEPLAY OR NOISE

OPTIONS

- > ALLOWS EASY FITMENT OF CUSTOM TREADLE GEOMETRY, IF REQUIRED
- > SENSOR OUTPUT
- > SENSOR CONNECTION
 - » INTEGRATED METRIPACK 150
 - » CUSTOMIZED CONNECTORSON FLYING LEADS



CHINA: 1288 KANGQIAO EAST ROAD, 201319 PUDONG, CHINA // T: +86 2158134411

EUROPE: HLAVNÁ 48, 952 01 VRÁBLE, SLOVAKIA // T: +42 1377 911 542

NORTH AMERICA: 300 SOUTH COCHRAN PO BOX 588 WILLIS, TX 77378, USA // T: +1936 856 2971

WWW.KONSGBERGAUTOMOTIVE.COM