



KONGSBERG
AUTOMOTIVE

Memory-Lock Positioning Control

Mechanical Cable Assemblies



FEATURES:

- Lever color options
- Positive or negative action
- Adjustable, locking lever positions
- Single-bolt mounting

BENEFITS:

- Variable adjustable Setting
- Single-Bolt Monting
- Proven mechanical reliability

Product Description

Kongsberg Automotive presents a unique push/pull control that features a lock button which can be set for a recommended operational position. This control is ideal for applications where pre-established positioning is critical, as in drop and broadcast fertilizer spreaders, RPM controls, paint strippers, and other metering devices.

The control's positioning button can be adjusted and has a unique locking feature that locks the control lever in place when actuated. The position set by the button is maintained even when the lever is moved to the OFF position, allowing for quick and accurate return when the lever is re-engaged.

As a leading developer and manufacturer of mechanical control cable assemblies focused on the unique needs of power equipment manufacturers, Kongsberg Automotive is committed to responding to its customers with innovative solutions, proven technical excellence and world class production capabilities.

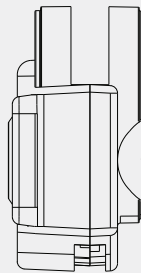
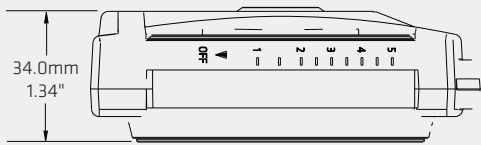
Contact:

United States: Kongsberg Automotive, 300 South Cochran St., Willis 77378, TX, United States
Europe: Kongsberg Interior Systems Kft., Bajcsy-Zs. u. 201/D, Siófok, 8600 Somogy, Hungary
China: Lone Star, 2nd Building, 777 Yuandong Rd, Nanqiao Town, Fengxian District 201401, China
E-mail address: ope.inquiries@ka-group.com (common to all sites)

Memory-Lock Positioning Control

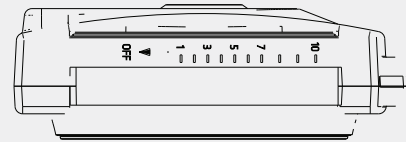
Mechanical Cable Assemblies

The Memory-Lock Positioning Control is available in both negative and positive action.

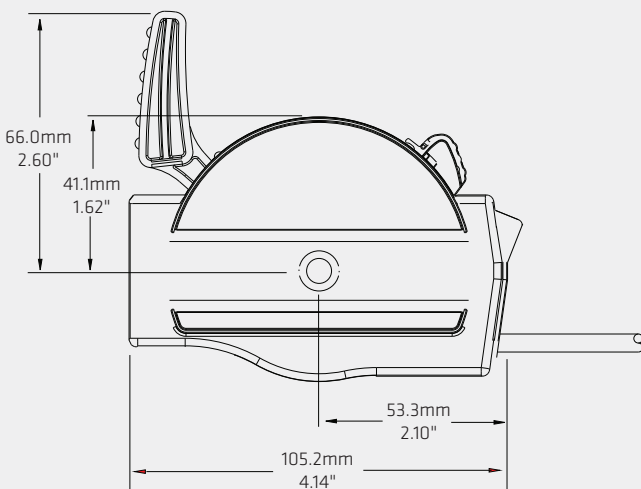


Can be mounted on
7/8" or 1" handle bar

Artwork can be customized

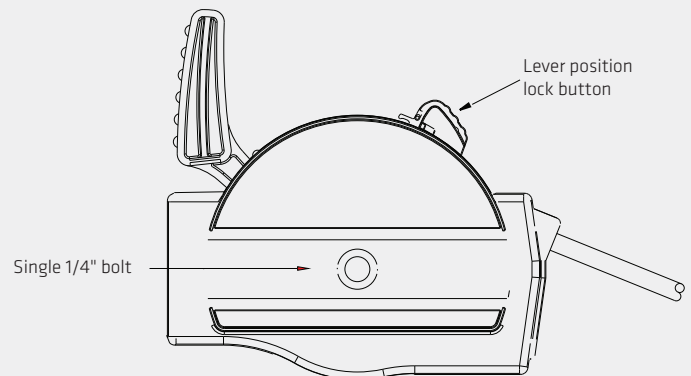


Negative Action



Total travel to the button lock position is 1.34" (34.0mm).

Positive Action



Total travel to the button lock position is 1.41" (35.8mm).