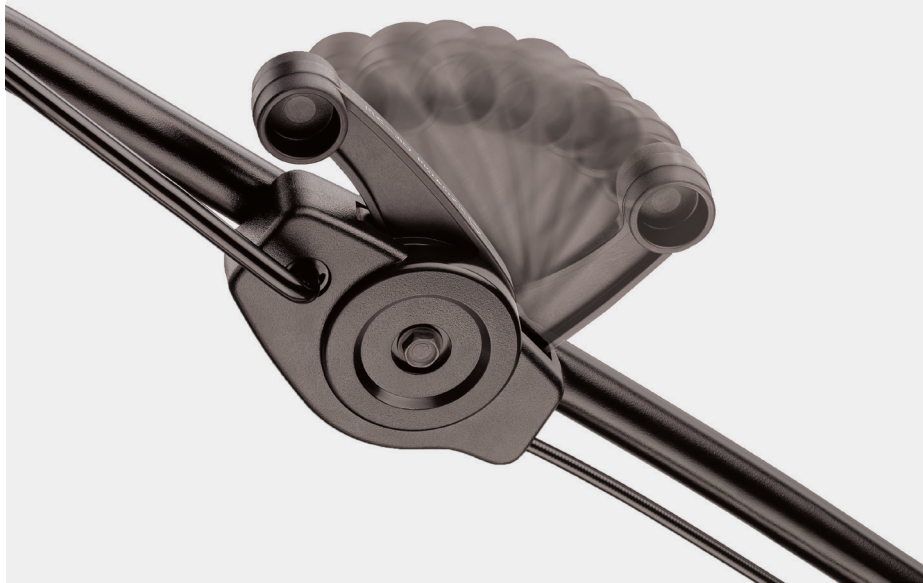


LatchBack Drive Control

Mechanical Cable Assemblies



FEATURES:

- Innovative lever-return mechanism
- Single-bolt mounting to reduce assembly costs
- Compatibility with current drive systems
- Comfortable load operation

BENEFITS:

- Patented Lever-Return Design
- Two-Step Operator Sequence
- Proven Mechanical Reliability

Product Description

Kongsberg Automotive proven latching drive control for walk behind mowers now offers a new innovative feature. The latching mechanism has been re-engineered to allow the lever to return to its initial position after engaging the drive, to avoid any possibility of lever interference or snagging. The LatchBack Control still provides all the benefits of the original design. One bail bar is connected to both the drive control and the engine brake cable, allowing for comfortable, one hand operation. The staggered release feature allows the operator to disengage the drive control without stopping the engine.

This economical Drive Control is ideal for front wheel drive applications, and can also be customized with styling, color,

and artwork to meet exclusive product line identification requirements.

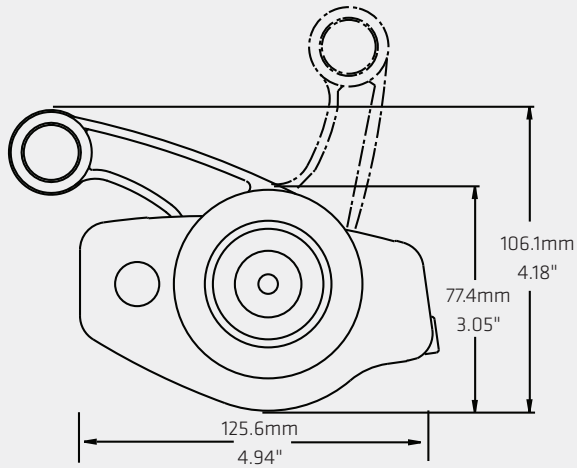
As a leading developer and manufacturer of mechanical control cable assemblies focused on the unique needs of power equipment manufacturers, Kongsberg Automotive is committed to responding to its customers with innovative solutions, proven technical excellence and world class production capabilities.

Contact:

United States: Kongsberg Automotive, 300 South Cochran St., Willis 77378, TX, United States
Europe: Kongsberg Interior Systems Kft., Bajcsy-Zs. u. 201/D, Siófok, 8600 Somogy, Hungary
China: Lone Star, 2nd Building, 777 Yuandong Rd, Nanqiao Town, Fengxian District 201401, China
E-mail address: ope.inquiries@ka-group.com (common to all sites)

LatchBack Drive Control

Mechanical Cable Assemblies



- 1.40" (35.5mm) nominal cable travel
- Working load capacity of up to 60 lbs./266N

