

# Hands-On Control

DA3000 - DUAL AXIS CONTROL



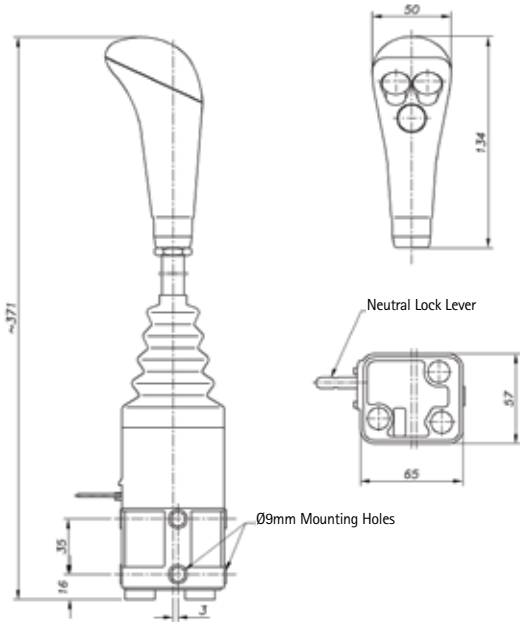
## AT A GLANCE

- Endorsed by major OEMs across Europe and North America
- Allows two hydraulic valves to be operated from a single control.
- Very robust design, fully proven to meet industry requirements.
- Can be configured with different electrical switches mounted in the handle.
- Supplied with cables ready fitted for ease of customer assembly.
- Neutral locking function for safety
- Ideal for Front Loader applications
- Easily integrated into driver's cab.

Kongsberg Automotive is one of the world's leading suppliers of vehicle control systems and has been designing and manufacturing mechanical driver controls for over 60 years. Today we supply products to the world's leading manufacturers of trucks, buses and off-highway vehicles.

The DA3000 is a high quality control, used to remotely operate two hydraulic valves, such as front loader systems on tractors. It is easily incorporated into the driver's cab, and linked to the hydraulic valves using our mechanical control cables. The DA3000 control is robustly manufactured to provide reliable operation in the harshest industrial environments.

## PRODUCT SPECIFICATIONS



- Cable travel +/- 7 and +/- 14mm
- Ratio 6.6:1 and 8.25:1
- Handle movement 110 / 175mm
- Max. Cable load 150N
- Electrical switches rated at 12V 6A

## OPTIONS:

- Available with cable stops to prevent overload of the hydraulic valves.
- Up to four electrical switches can be mounted in the handle.
- Lever length and shape are fully configurable to suit the application.
- Customized handles and gaiters available
- Range of cables to suit all applications
- Hydraulic valve mounting kits

DA3000 CONTROL UNITS	PART NUMBER
Base Control Unit – no switches	263940
Unit with 1 electrical button switch	263940-001
Unit with 2 electrical button switches	263940-002
Unit with 3 electrical button switches	263940-003
Unit with 1 electrical button switch + slider switch	263940-004
Unit with 2 electrical button switches + slider switch	263940-005
Unit with 3 electrical button switches + slider switch	263940-006
Basic Control Unit with lever but no knob or switches fitted	263940-015
VALVE CONNECTION KITS	PART NUMBER
BLB 40 / Bondioli DVS-4 / Dinoil DN	212042
Commerical Hydraulics A20	212468
Hamworthy 06 SVO33	212579
Hypro 8 GPM	211631
Hydro Control HCD-3, HCD-10	211624
Johnson S & R Servo	212403
Kontak 10	211596
Kontak 18	211597
Monson Tison HV07	212408
Nord R200, RM250, M400, U200, U700	212404
Nord MV50, MV60, RM240, VM500, U1000	212401
Rexroth SM12	211627
Valvoil SD5, VCD20	211623
Many more kits available. Please contact Kongsberg Automotive for further details.	
VALVE CONTROL CABLE	PART NUMBER
Standard cable for use with all valve connection kits	264531/L
L – Cable length in mm	