

Accelerating Progress

RT7000 ROLLER THROTTLE PEDAL WITH vSENSE™ TECHNOLOGY



AT A GLANCE

- Compact design allows for ease of installation in restricted space applications
- Easy access to mounting bolts
- vSENSE™ Hall effect non-contact sensor provides position sensing and switching accuracy and reliability

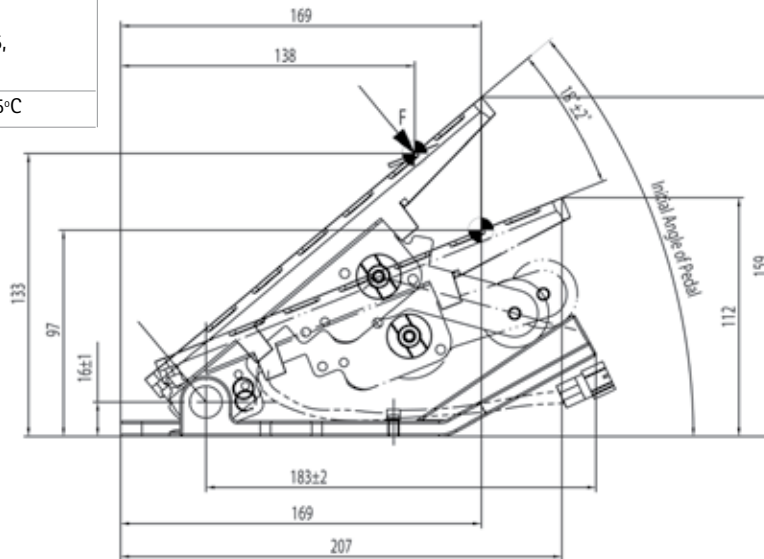
The Kongsberg Automotive RT Series roller throttle pedal system was designed to provide a smaller, more compact solution for space critical installations. The rugged RT7000 features a sloped mounting plate for applications with sloped toe-boards.

This pedal features the vSENSE™ non-contact sensor with patent-pending technology, configurable for analog output or electronic switches. Built to exceed all applicable industry standards and requirements, this rugged pedal and sensor system can withstand extreme off-road environments while ensuring precise control and superior performance.

RT7000 ROLLER THROTTLE PEDAL WITH vSENSE™ TECHNOLOGY

PEDAL MECHANICAL SPECIFICATIONS

Rated Life	10M cycles
Pedal Actuation Force:	
- RT7000	4.0lb (17.8N) Idle : 6.5lb (28.9N) WOT
Treadle	fixed
Load Rating	250lb (1100 N) download
Standard Mechanical Hysteresis	25%
Specification Compliances:	
FMVSS 124; ASTM B117-97, SAE J1455, KA PS-461, PS-462, PS-465	
Operating Temperature	-40°C to +85°C



FEATURES:

- Easy access to mounting bolts
- Narrow floor treadle
- Exceeds 250lb download

OPTIONS:

- Sensor outputs
 - Standard Integrated MetriPack Connector
 - Customized Connectors and Leads

PARAMETER	SPECIFICATIONS	PARAMETER	SPECIFICATIONS
Temperature Operating Range	-40°C to +85°C	Environmental Specification	
Functional Life (full rotation)	30M Cycles	EMC	150V/m
Supply Current Draw	max.10mA per Output	ESD	±15kV
Max. continuous voltage on switch	+50v	Seal Compliant	IP67
Max. continuous operating switch current	20mA	Chemical Resistance per.	SAE J1455
Output Range (programmable) within:		Configuration	
Minimum	>7% of supply voltage	Programmable for dual/single analog	
Maximum	<90% of supply voltage	Programmable for idle validation switch	
Electrical Specifications for Ratiometric Voltage Output			
Supply (Reference) Voltage	5V±0.5V		

FEATURES:

- Sealed external design:
 - no rotating sensor shaft seal wear
 - no mechanical wear points
- Excellent EMI protection
- Integrated connector
- Fully programmable

OPTIONS:

- Single or dual outputs
 - analog
 - electronic idle validation switch
 - pulse width modulation
- Flying leads with all connector types

